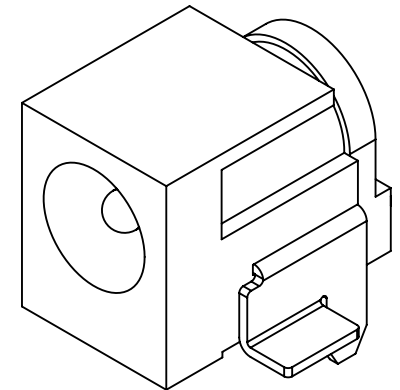
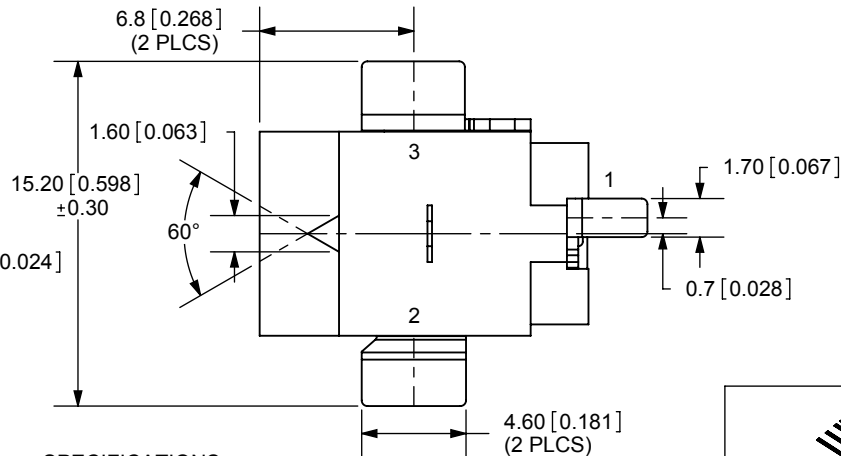
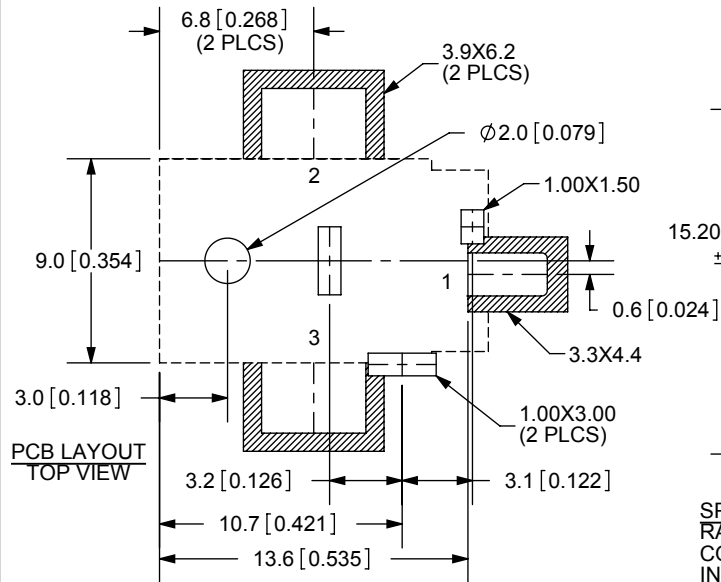
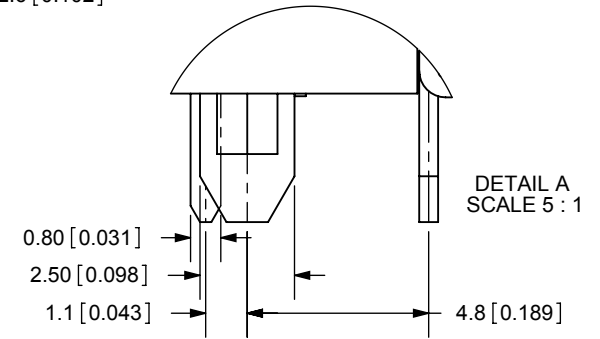
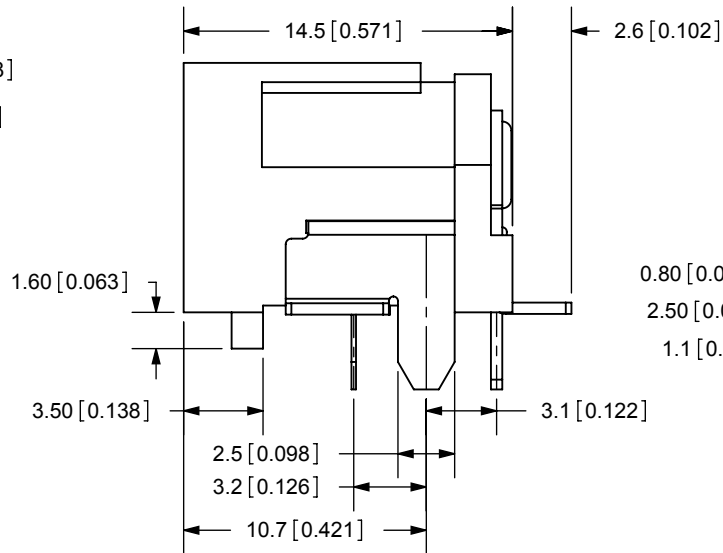
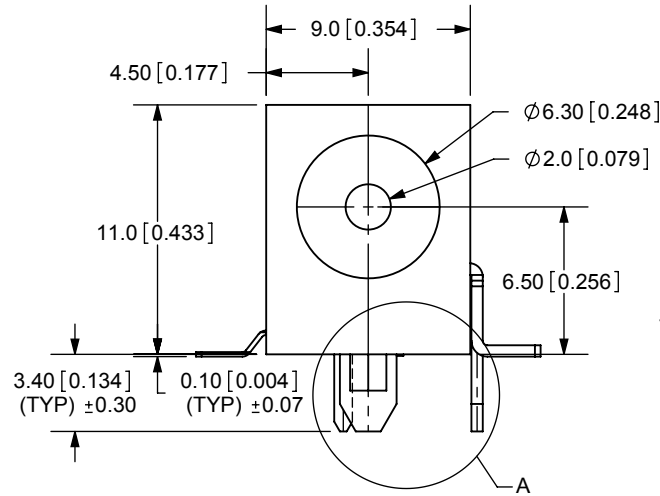


| | | |
|------|-------------|----------|
| REV. | DESCRIPTION | DATE |
| A | NEW DRAWING | 2/2/2007 |



TOLERANCE:
 X.X ±0.2mm
 X.XX ±0.1mm
 X.XXX ±0.05mm



SPECIFICATIONS:
 RATING: 16V DC @ 2.5A
 CONTACT RESISTANCE: 50m OHMS MAX
 INSULATION RESISTANCE: 100M OHMS MIN: 500V DC
 VOLTAGE WITHSTAND: 500V AC R.M.S. FOR 1 MINUTE
 LIFE: 5,000 CYCLES

| | MATERIAL | PLATING |
|------------|--------------|---------|
| TERMINAL 1 | Brass | Silver |
| TERMINAL 2 | Copper Alloy | Silver |
| TERMINAL 3 | Brass | Silver |
| CENTER PIN | Copper | Nickel |
| BODY | PA6T | |



CUI INC

20050 SW 112th Ave.
 Tualatin, OR 97062
 Phone: 503-612-2300
 800-275-4899
 Fax: 503-612-2383
 Website: www.cui.com

| | |
|---------------------------------------|--------------------|
| TITLE: 2.0mm SURFACE MOUNT POWER JACK | REV: A |
| PART NO. PJ-037A-SMT | UNITS: MM [INCHES] |
| DRAWN BY: ZRJ | APPROVED BY: |
| | SCALE: 3:1 |

| | |
|-----------|-------------|
| MODEL NO. | PJ-037A-SMT |
| SCHMATIC | |

CENTER PIN DIAMETER 2.0mm Dia.

PC FILE NAME:
 PJ-037A-SMT

COPYRIGHT 2007 BY CUI INC.